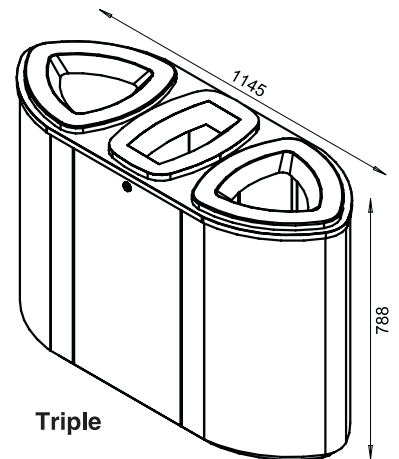
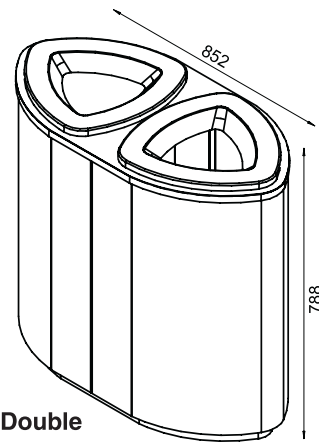
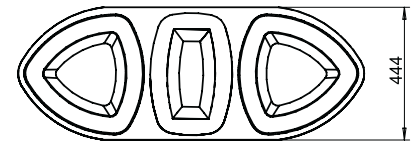
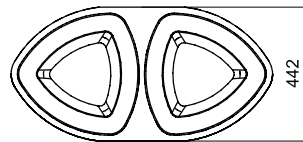
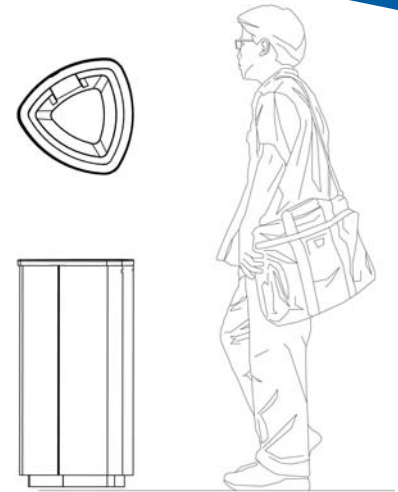




## FinBin® Bermuda

The new FinBin® Bermuda is designed especially for indoor use in terminals, retail facilities and hotels. Material and color can be customised to fit the surroundings.

FINBIN®



Double

Triple

## FinBin® Bermuda

### TECHNICAL DETAILS

	FinBin® Bermuda	FinBin® Bermuda Double	FinBin® Bermuda Triple
Material	stainless steel, galvanised steel, powder coated lid	stainless steel, galvanised steel, powder coated lid	stainless steel, galvanised steel, powder coated lid
Thickness	1,0 mm	1,0 mm	1,0 mm
Colour	metallic black or stainless steel, black lid	metallic black or stainless steel, black lid	metallic black or stainless steel, black lid
Size	h. 720 mm, w. 410 mm	h. 788 mm, w. 852 mm	h. 788 mm, w. 1145 mm
Features	triangle lock and hinged lid, pivoted bag frame	triangle lock and hinged lid, pivoted bag frame	triangle lock and hinged lid, pivoted bag frame
Capacity	80	110 + 110	100 + 100 + 100
Weight	13 kg	30 kg	40 kg



Triangle lock and hinged lid.



Pivoted bag frame.

### FIRE SAFETY

FinBin® Bermuda is a self-extinguishing litter bin. If a fire starts inside the bin, the shape of the lid directs the combustion gases, cuts off the oxygen supply and extinguishes the fire.

