



# FINBIN™ CITY® Series

FINBIN™  
a Modern Litter Bin Series

We care for the environment





# A Clean Environment is Important to All of Us

**FinBin™ means quality; flexible, functional elegance combined with safety – just what you require of a litter bin. FinBin™ creates a clean environment.**

## Design

Our product planning is based on practical experiments: how to use a litter bin easily, safely and efficiently. We have paid attention to develop a strong product to stand vandalism and other mechanical stress.

Litter bins are a part of the clean environment. FinBin™ is designed for both outdoor and indoor use; this makes it ideal for parks, streets, airports, recreation grounds, and all public environments.



*CITY® 60 in stainless steel with ground post.*



The FinBin™  
CITY is  
a compliment to  
clean surroundings  
- be it a beautiful  
bed of flowers.....



..... or a  
secluded reading  
nook in the park.

# FinBin™ CITY® Series

FinBin™ CITY® is a Finnish high quality product planned and designed jointly with the City of Helsinki Building Department.

## Flexibility

Four standard sizes (30, 60, 100 and 140) make FinBin™ CITY® the right Litter Bin for any use anywhere.

FinBin™ CITY® Series is supplied in stainless steel or powder coated steel in most RAL colours. Decoration lists and the ashtray unit are in stainless steel.

The front door of the FinBin™ is opened with a square socket key. The lock is on the side of the bin for easy handling. The galvanised steel liner is equipped with a handle.

### The optimal size of the aperture ensures:

- easy litter disposal
- the litter keeps inside and does not show
- wind or rain does not enter the bin
- birds cannot scatter the litter.



All FinBin™ models are available in an "ashtray version" with a cigarette stubber plate, a disposal opening, and an ash container. In this version the liner is smaller.



*CITY® 30 with plate post.*



*CITY® 60 with ashtray unit - vaulted plate post.*

# FinBin™ CITY® Litter Bins

- ① CITY® 30 and CITY® 60 in stainless steel and in colour RAL 6005.
- ② CITY® 100 in stainless steel and colour 6005 fixed to a metal base.  
CITY® 140 in colour 9005 with brass decoration lists.

The Litter Bins can be wall fixed or free-standing on different types of post, see pages 6-7 Dimensions and details.



①



②

# FinBin™ Ashtrays

The FinBin™ Ashtray is designed to fit appropriately into its surroundings. The ashtrays can be wall-fixed or free-standing and they can be used both indoors and outdoors.



**Hotbin** – the ashtray for heavily populated surroundings. Material stainless steel or powder coated steel. Volume of ash container xx liters.



**Ashley** – the graceful wall ashtray for elegance and good looks. Material stainless steel in a highly polished gloss. Volume of ash container xx liters.



**Aula** - the smoothly rounded ashtray for sophisticated walls. Material stainless steel with a matt gloss. Volume of ash container xx liters.



**Colibri** - the a smart "no-nonsense" wall ashtray. Material stainless steel with a matt gloss. Volume of ash container xxx liters.

# Dimensions and Details

The FinBin™ selection consists of litter bins in several sizes and colours, and a multitude of fastening systems. You can put together a FinBin™ to suit your individual requirements.

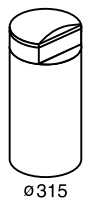

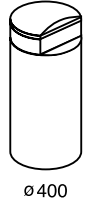


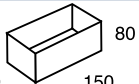
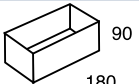
We are at your disposal for further information and advice.

## FINBIN CITY® SERIES

• drawings and measurements

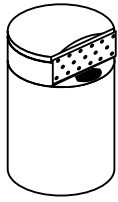
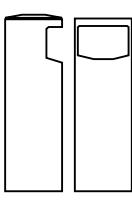
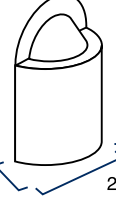
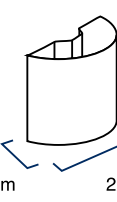
- opening mm
- weight kg
- liner size**
- standard
- ashtray version

- chained ashtray for ashtray version

30	60	100	140	ASHLEY ASHTRAY
 h=570 ø315	 h=700 ø400	 h=855 ø400	 h=870 ø460	 h = 350 mm 85 mm
90x120 14	110x270 24	110x270 27	110x300 35	
ø270, height 415 ø270, height 320	ø350, height 500 ø350, height 385	ø350, height 640 ø350, height 540	ø440, height 670 ø440, height 570	
 80 70 150		 90 90 180		

## ASTHRAYS

- opening
- weight kg

HOTBIN	COLIBRI	AULA	AULA LINER
 h=420 ø315 mm	 h=350 ø115 mm	 h=369 123 mm 240 mm	 h=180 88 mm 229 mm
90x210	ø20		
12	2	3	

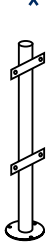
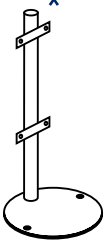

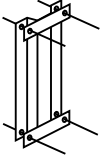
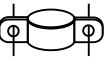
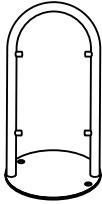
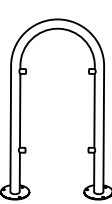
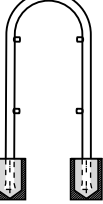
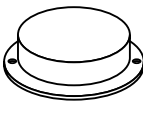
## POSTS AND FASTENERS

for 30/60

- name
- weight kg

for 30, 60, 100

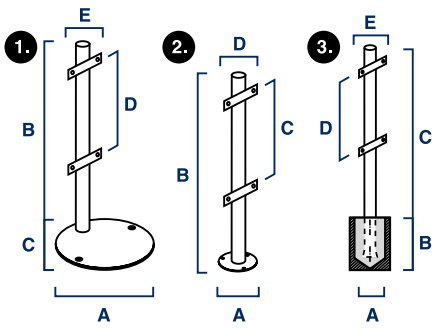
- name
- weight kg

 *	 *	 *	 *	 *
Flange Post	Plate Post	Ground Post	Wall Fixture	Clamp
14	5	15	1,4	0,4
 *	 *	 *	for 30/60 100 and 140	
Vaulted Post, Plate	Vaulted Post, Flange	Vaulted Post, Ground		
28	15	15		
			Metal Base	
			12	

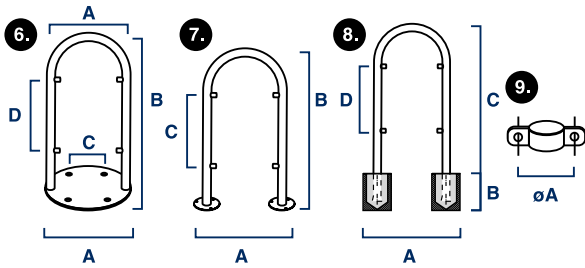
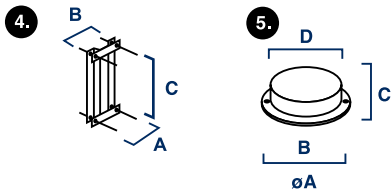
\*available also for Hotbin

All the measurements are in mm.

www.lassila-tikanoja.com



	1.	1.	2.	2.	3.	3.	4.	4.	5.	5.	5.
	30/60	HOTBIN	30/60	HOTBIN	30/60	HOTBIN	HOTBIN	30/60/	30/60	100/120	140
A	450	450	160	160	60	60	80	80	450	405	460
B	1015	1015	1015	1015	350	350	70	70	440	395	450
C	420	420	345	185	1015	1015	390	440	215	80	80
D	345	185	70	70	345	185			300	300	300
E	70	70			70	70					



	6.	6.	6.	7.	7.	7.	8.	8.	8.	9.
for	30	60/100	HOTBIN	30	60/100	HOTBIN	30	60/100	HOTBIN	30/60/ HOTBIN
A	475	560	475	455	540	455	455	540	455	83/60,3
B	1350	1350	1200	1350	1350	1200	350	350	350	
C	420	420	420	450	520	290	1350	1350	1200	
D	450	520	290	450			450	520	290	

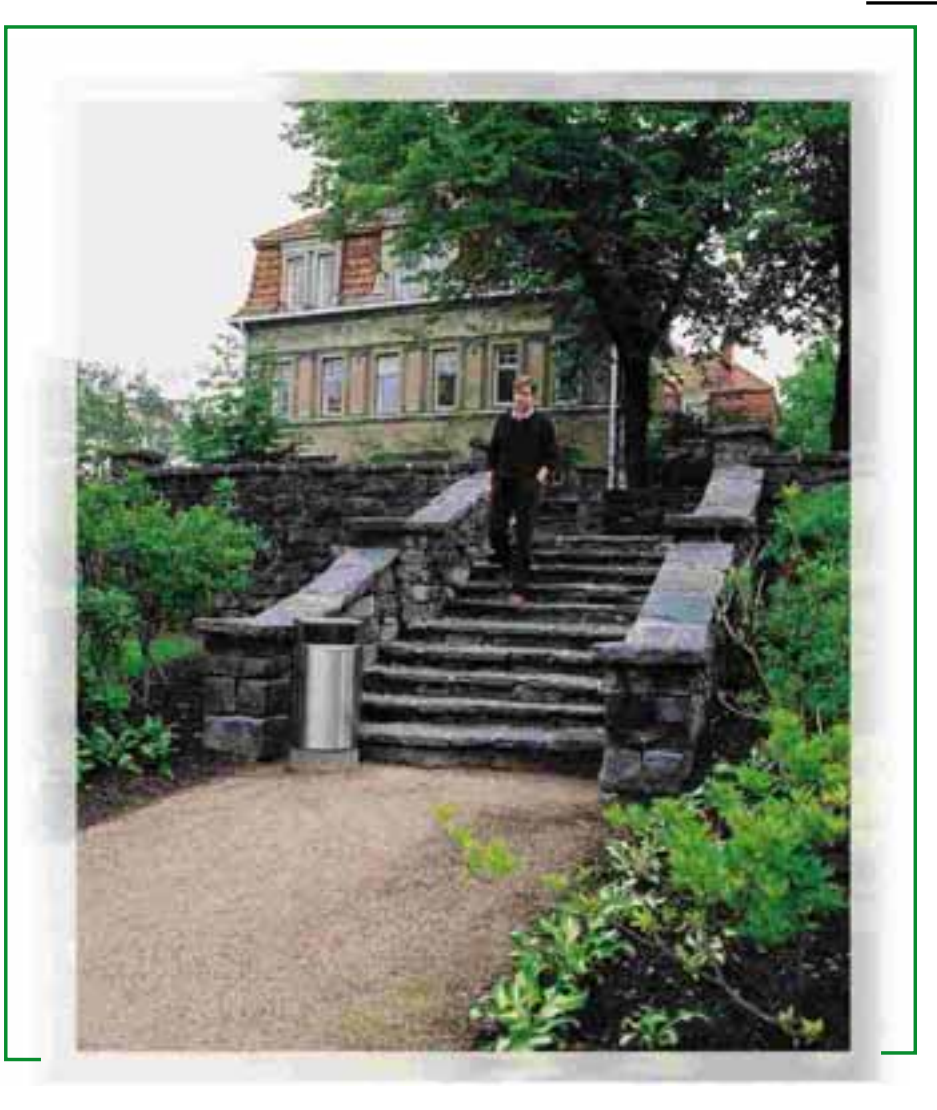
All the measurements are in mm.

## Made in Finland



Modern machinery and professional steel handiwork complement each other.

FinBins receiving their glossy finish in a modern paint shop.



Your Distributor:

For full list of distributors, consult our web site



We care for the environment

Lassila & Tikanoja PLC, Environmental Products  
Hopeatie 2, P.O. BOX 28, FIN-00441 Helsinki, Finland  
Telephone + 358 10 636 111, Telefax +358 10 636 2700 [www.lassila-tikanoja.com](http://www.lassila-tikanoja.com)